

For residential segment

Gateway for
quick installation

Data transfer to the
Solar-Log WEB Enerest™

Small and compact design
for DIN rail mounting



Article number

Gateway Solar-Log 50

256200

Gateway Solar-Log 50

The Gateway

Function

Power reduction to x % and Software Licenses

The basic version of the Gateway Solar-Log 50 comes with the active power reduction to x % option and additional add-on functions can be enabled by purchasing software licenses from the [Solar-Log™ Shop](#). To enable this, the Gateway Solar-Log 50 has to be connected to the Internet.

Display Options

Solar-Log WEB Enerest™

The Gateway Solar-Log 50 acts as a Gateway between the PV plant and the Solar-Log WEB Enerest™ portal.

The App for End-Customers - Solar-Log WEB Enerest™

This app offers users comfort and security with its structured operating concept, intuitive controls, modern features and interactive graphics. The app is available for free from the app store.

Connections

Components

The Gateway Solar-Log 50 is compatible with all common inverter models. In addition compatible battery storage units, heat pumps, charging infrastructure and further Smart Energy components can be connected. Details can be found in our component database.

2 x RS485 or 1 x RS422

To connect components.

Ethernet

The Gateway Solar-Log 50 can be connected directly to compatible inverters via Ethernet.

Solar-Log™ USB Connection and Data Export

A USB stick can be connected for safe and quick manual installations of new firmware updates, configurations, and backups. The backup and configuration can be exported as a file via USB.

Interfaces

RS485/RS422	2 x RS485 or 1 x RS422
Ethernet	1 x 100 Mbit/s
USB connection ¹⁾	1 x USB 2.0

Basic Functions

Inverter: Monitoring and power reduction to x %	Ethernet, RS485 or RS422 ²⁾
Battery storage: Monitoring	Ethernet, RS485 or RS422 ²⁾
Meter	RS485
Maximum number of components	5
Maximum plant size	15 kWp

Expandable Licenses ³⁾

Gateway Solar-Log 50 Opening License for the expansion up to 10 components	from 5 to maximum 10
Gateway Solar-Log 50 Opening License for the plant expansion up to 30 kWp	from 15 kWp to maximum 30 kWp

Visualization

Display on the device	3 status LEDs, communication LEDs
Integrated web server	-

Installation

Power supply optional ⁴⁾	Depending on the output voltage (24V DC (+-5%), if required 12V DC (+-5%)), observe component requirement.
-------------------------------------	--

General Data

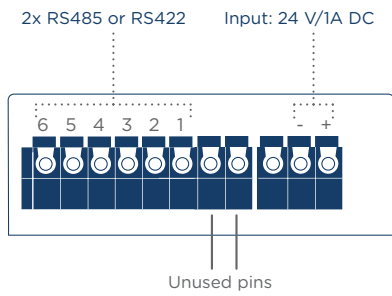
Power supply ⁵⁾	24V DC (+-5%), if required 12V DC (+-5%)	
Device current ⁵⁾	Max 1 A	
Power consumption	~ 1W	
Cable length ⁶⁾	Max 30 m	
Baud rate/parity/stop bit	Automatically parameterised by the Solar-Log Base	
Dimensions / Weight	Housing / Dimensions (W x H x D)	3TE / 53,6x89,7x38,5 mm
	Height from top edge of mounting rail	~32,5mm
	Net weight	74 g
Mounting type	DIN rail	TH 35 / 7,5 or TH 35 / 15 to IEC/EN 60715

Connection data	Connection technology	Push-in SPRING CLAMP®
	Solid conductor	0,2 ... 1,5 mm ² / 24 ... 16 AWG
	Fine-stranded conductor	0,2 ... 1,5 mm ² / 24 ... 16 AWG
	Fine stranded conductor with ferrule	0,14 ... 1 mm ²
	Stripping length	8,5 ... 9,5 mm / 0.33 ... 0.37 inch, with ferrules ≥ 6 mm. Please note the diameter of the plastic collar
Material data	Housing material	PC/ABS
	Colour	black
Ambient conditions	Ambient temperature	-20°C to +50°C (without condensation)
	Ambient temperature storage/ transport	-20°C to +60°C
	Protection rating to EN 60529	IP20
	Mounting position	any
Warranty		2 years
Conformity marking		CE
Article number		256200

- 1) USB interfaces for the specific use of enabled functions (firmware updates, configuration and data backups).
- 2) An RS485 meter cannot be connected when using RS422.
- 3) Extendable licences possible for a fee.
- 4) Only use NEC Class 2 power supplies for installations in the US market.
- 5) The Gateway Solar-Log 50 may only be supplied with 12V DC when used in conjunction with the special Piggy Back (Art 220020). Please also note the power supply for sensor boxes via the bus. No power supply unit is included in the scope of delivery.
- 6) Depending on the inverter used, cable type and electrical boundary conditions (specifications may vary depending on the device type).

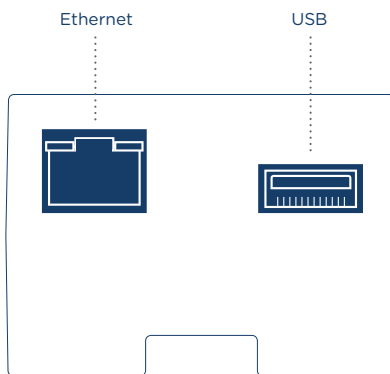
Connection

Top

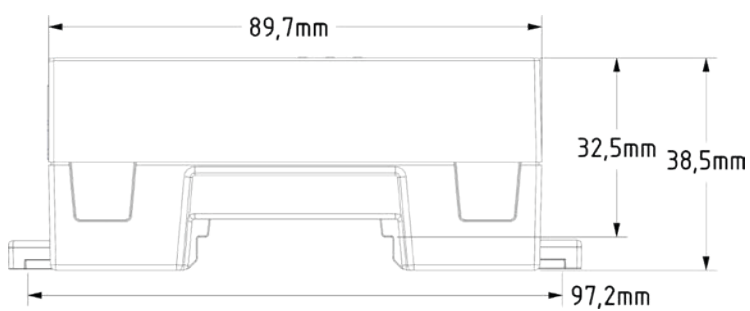
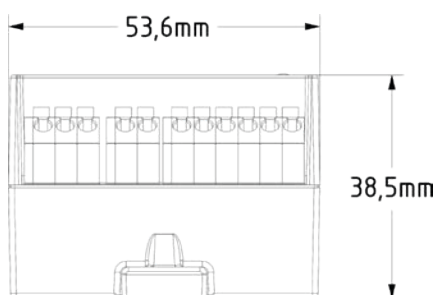


Pin Assignment	RS485-A	RS485-B	RS422
1	Data +	-	T/RX+
2	12V	-	12V
3	Ground / GND	-	Ground / GND
4	Data -	-	T/RX-
5	-	Data +	R/RX+
6	-	Data -	R/RX-

Bottom



Technical drawings



Accessories	Article number	Gateway Solar-Log 50
Meters		
Solar-Log™ PRO380	255913	●
Solar-Log™ PRO380-CT	256059	●

Article Number

Gateway Solar-Log 50	256200
Gateway Solar-Log 50 power supply	256226
Gateway Solar-Log 50 mounting rail power supply	256227
Gateway Solar-Log 50 Opening License from 15 up to 30 kWp	256206
Gateway Solar-Log 50 Opening License from 5 up to 10 components	256205